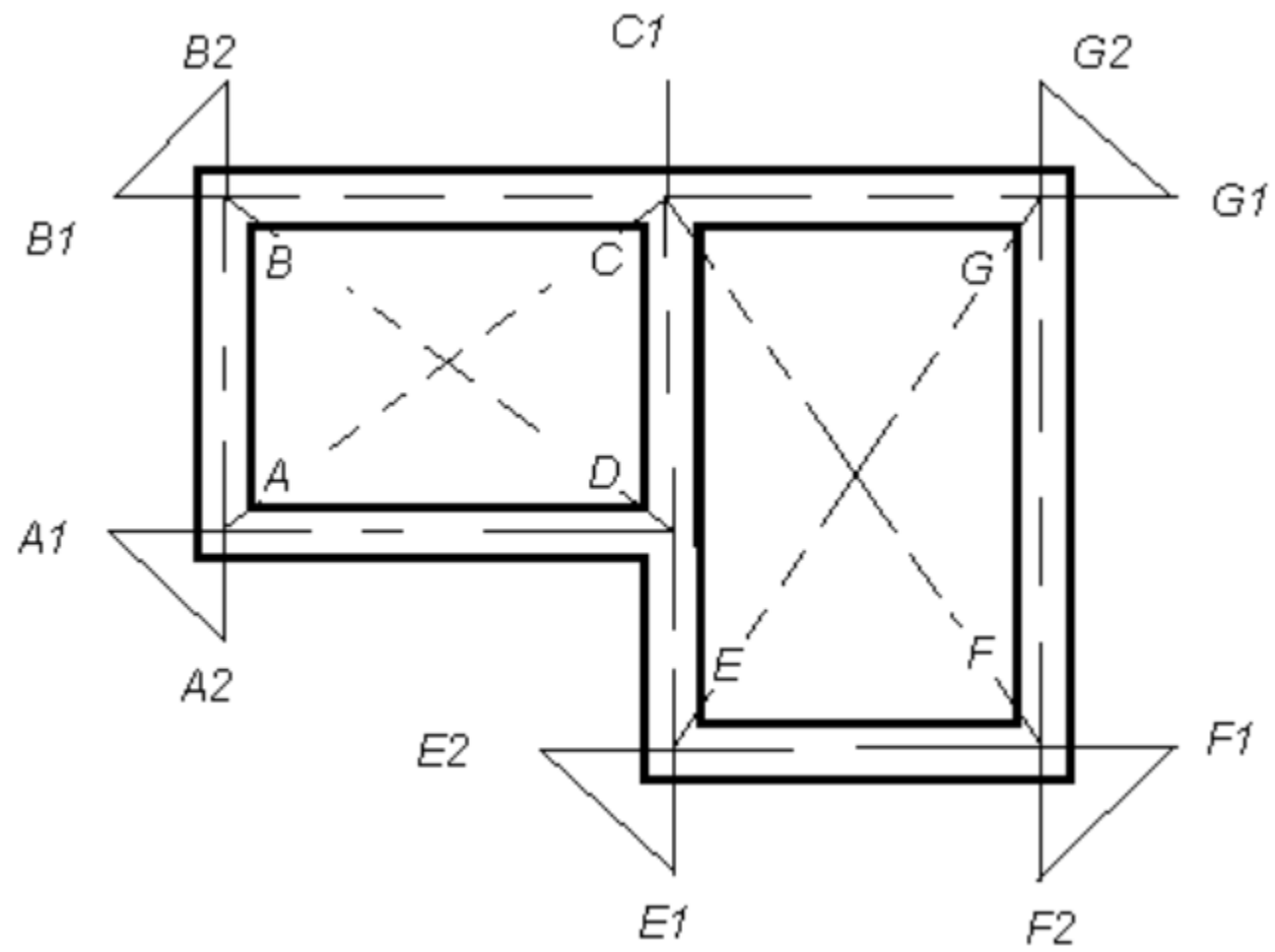


SETTING OUT OF A BUILDING

Setting out ???

- A building is set out in order to clearly define the **outline of the excavation and the centre line of the walls**, so that construction can be carried out exactly according to the plan.
- The centre line method of setting out is generally preferred and adopted.

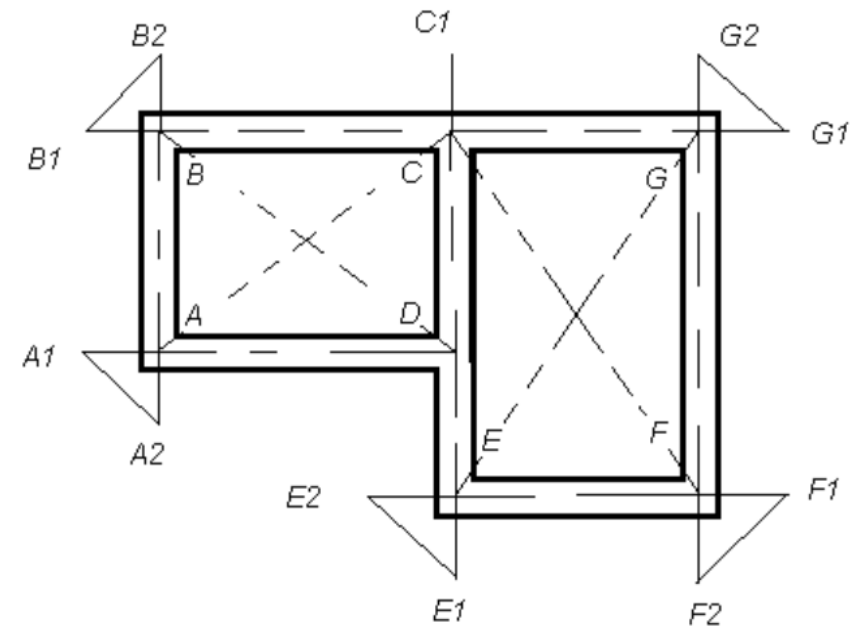
Setting out plan



Procedure

1. From the plan, the centre line of the walls are calculated. Then the centre lines of the rooms are set out by setting perpendiculars in the ratio 3:4:5. Suppose the corner points are a, b, c, d, e, f and g which are marked by pegs with nails on top.

2. The setting of the corner point is checked according to diagonals ac, bd, cf and eg.



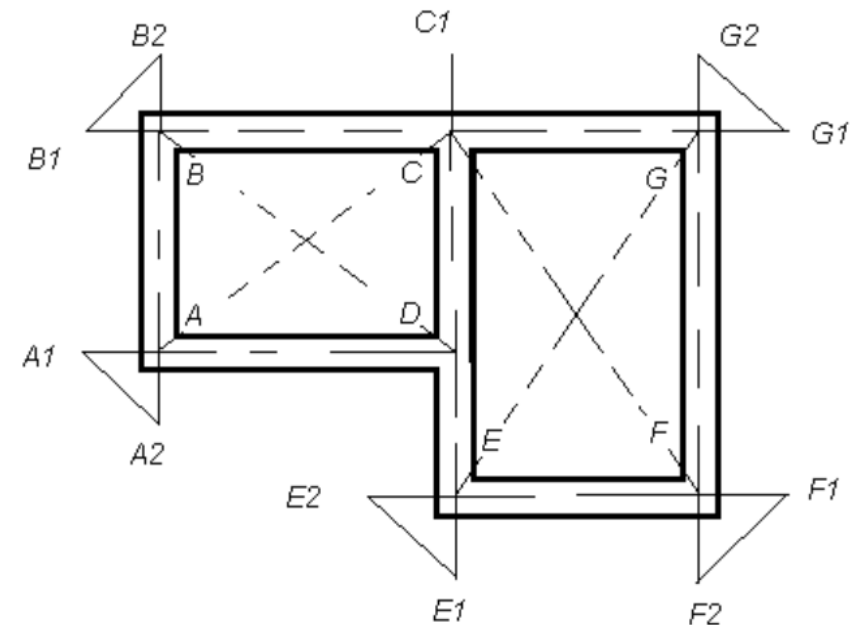
Procedure

3. During excavation, the centre points a, b, c, d, e, f, g may be removed. Therefore the centre lines are extended and the centre points are marked about 2m away from the outer edge of excavation.

Thus the points A1, A2, B1, B2 and likewise, are **marked outside the trench.**

Centre line are shown clearly by stretching thread or rope.

The centre points fixed **2m away from the excavation** are marked with sit out pegs.



Procedure

4. From the plan details, the width of excavation to be done is also marked by thread with pegs at appropriate positions.
5. The excavation width is then marked by lime or by with furrow with spade.
6. If the plan is much to complicated and follows a zigzag pattern, then the centre pegs are kept at suitable positions according to site conditions.

